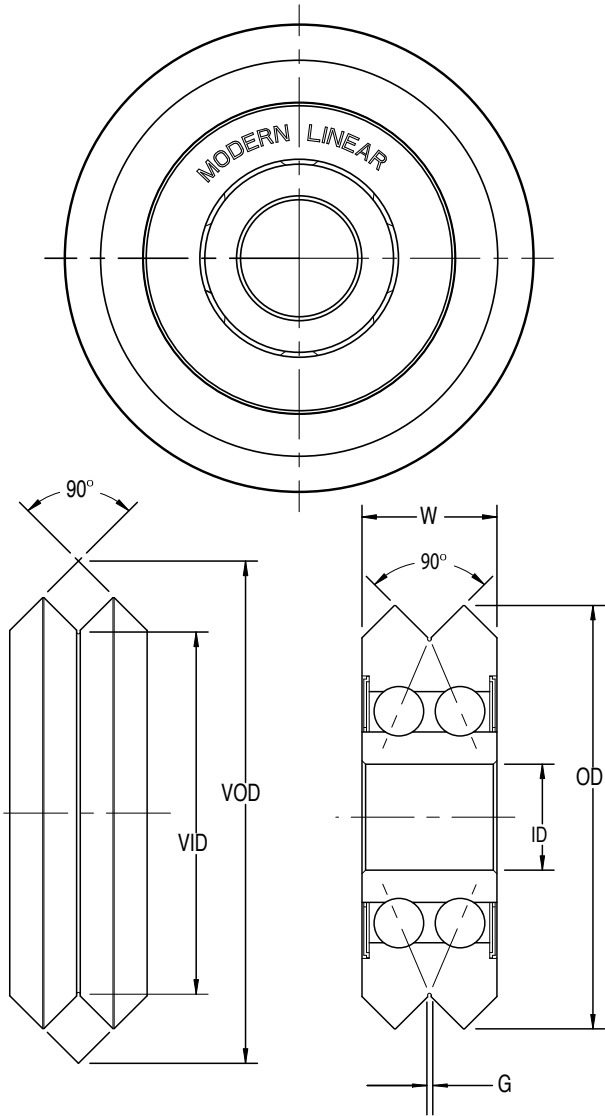


MODERN LINEAR

GUIDE ROLLERS

SIZES

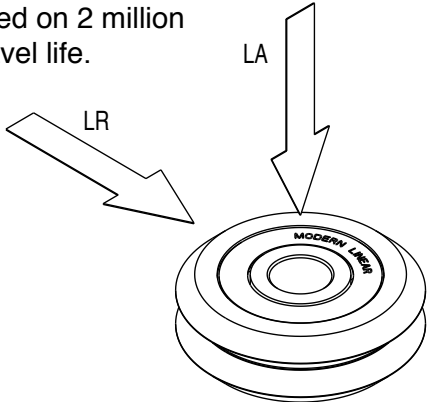


GUIDE ROLLER LOAD CAPACITY (LBS.)

| SIZE | LR | LA | MAX RPM | WEIGHT |
|--------|------|------|---------|--------|
| VW-1 | 134 | 57 | 2400 | .027 |
| VW-2 | 322 | 140 | 1500 | .087 |
| VW-3 | 691 | 382 | 1000 | .300 |
| VW-4 | 1058 | 899 | 750 | .630 |
| VW-4XL | 1710 | 1480 | 500 | 1.20 |



Working load capacities reflect lubricated roller/track interface. Ratings based on 2 million inches of travel life.



SPECIFICATIONS

Ground, double row angular contact ball bearings, ABEC-5, pre-lubricated with NLGI #2 grease.

DIMENSIONS (INCHES)

| SEALED | SEALED SS | SHIELDS | OD | ID | W | VID | VOD | G ± .002 |
|---------|-----------|---------|------|-------|-------|-------|-------|----------|
| VW-1X | VW-1SSX | VW-1 | .77 | .1875 | .310 | .625 | .936 | .050" |
| VW-2X | VW-2SSX | VW-2 | 1.21 | .3750 | .437 | 1.000 | 1.437 | .040" |
| VW-3X | VW-3SSX | VW-3 | 1.80 | .4724 | .625 | 1.500 | 2.125 | .040" |
| VW-4X | VW-4SSX | VW-4 | 2.36 | .5906 | .750 | 2.000 | 2.750 | .040" |
| VW-4XXL | VW-4XLSSX | VW-4XL | 2.97 | .8661 | 1.000 | 2.500 | 3.500 | .045" |



Working temperature range of guide roller -30° C-100° C. Bearings can be modified to extend range.