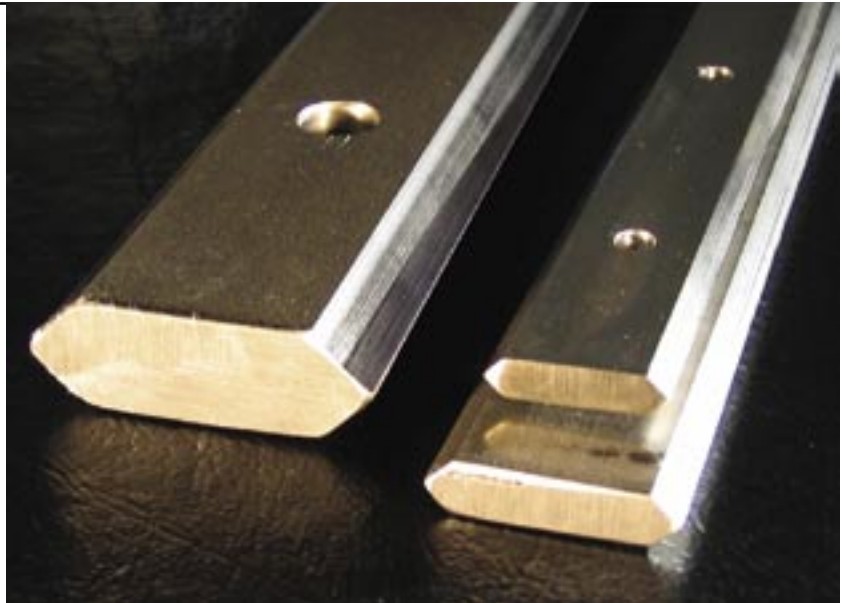
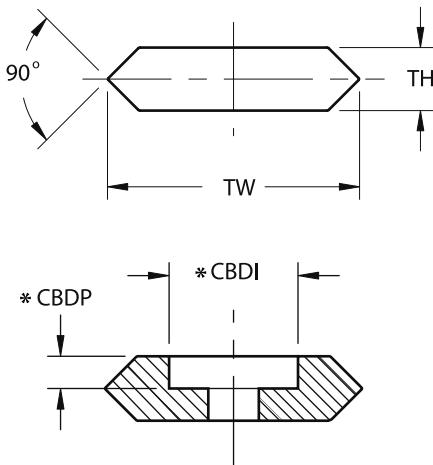


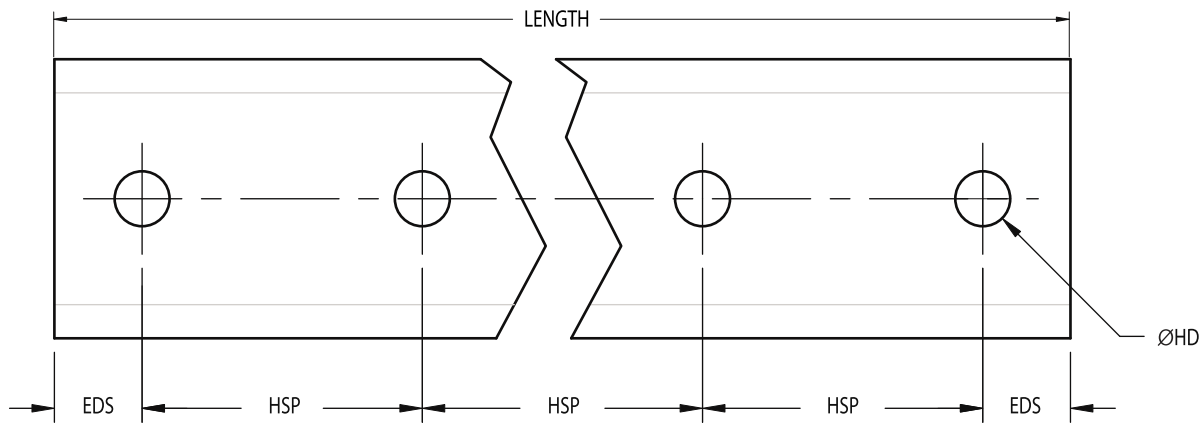
MODERN LINEAR

DOUBLE TRACK



DIMENSIONS

Guide Roller Size	Width	Height	* End Hole Spacing	Hole to Hole Spacing	Hole Size Thru (Diameter)	Counter Bore Diameter	Counter Bore Depth	Weight Per Foot
SIZE	TW	TH	EDS	HSP	HD	*CBDI	*CBDP	
DT-1	0.750	0.187	0.25	2.000	0.156	0.313	0.100	.45
DT-2	1.000	0.250	0.31	3.000	0.219	0.500	0.125	.73
DT-3	1.250	0.375	0.38	3.000	0.313	0.625	0.188	1.33
DT-4	1.500	0.500	0.50	4.000	0.375	0.750	0.218	2.03



SPECIFICATIONS

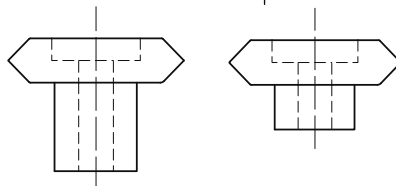
Track material is AISI 1045.

V-edge is case hardened to 49-52 Rc.

Cut to length tolerance +/- .063".

Hole spacing and size tolerance is +/- .005".

*For customer specified lengths end hole is positioned to be equal at both ends.



* Counter Bores Optional.

*Riser Blocks with Thru Holes.

Track is available undrilled or predrilled and cut to length.

Stainless material is 420SS, designated by -SS.

PART NUMBER EXAMPLE:

DT-2 x 36" (Undrilled)

DT-2 x 36" -9 (9 thru holes)

DT-2 x 36" -9CB (9 counterbored holes)