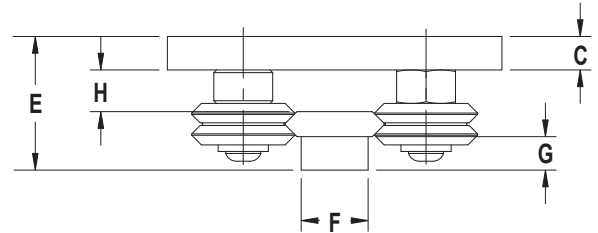


- Compact overall package.
- Standard and custom lengths.
- Easy to install.



\* End spacing dimension is equal at both ends based on customer specified length.

### DIMENSIONS (in.)

SIZE	A	B	C	D1	D2	E	F	G	H	I	K	L	CARRIAGE	RAIL
DT-1	2.500	2.500	0.250	1.500	1.366	1.030	0.500	0.250	0.312	4.000	#6-32 UNC	0.156	DTC-1	DTR-1
DT-2	4.000	4.000	0.500	2.500	1.993	1.625	0.750	0.500	0.375	6.000	1/4-20 UNC	0.281	DTC-2	DTR-2
DT-3	5.000	5.000	0.500	3.000	2.738	1.750	0.750	0.500	0.500	8.000	5/16-18 UNC	0.375	DTC-3	DTR-3
DT-4	6.000	6.000	0.625	3.500	3.483	2.280	1.000	0.625	0.594	8.000	3/8-16 UNC	0.406	DTC-4	DTR-4

### CONFIGURATIONS & OPTIONS

- Carriage and Rail are ordered separately.
- Carriage: DTC (Rollers Pre-assembled to \*Aluminum Plate)
- Rail: DTR (Includes track and spacer.) \*
- \*Steel spacer and plate available as option.
- Double Track is only available in 1045 Steel.
- All dimensions are industry standard ( $\pm .005$  inches), unless otherwise specified.

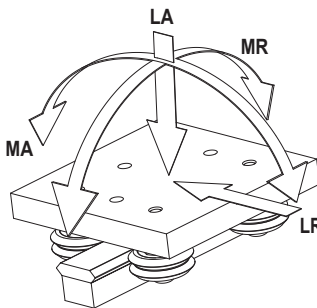
### MATERIALS

Carriage Plate	6061-T6 Aluminum Clear Anodized
Track Spacer	6061-T6 Aluminum Clear Anodized
Fasteners	18-8 Stainless Steel
Double Track	See Double Track
Bushings	See Guide Roller Bushings
Rollers	See Guide Rollers

### NOMENCLATURE

CARRIAGE DTC - 2 - SSX  
 Double Track Carriage | Size | Stainless Steel Rollers

QUAD DTR - 2 - 5000 - 5  
 Double Track Rail | Size | Length 50" | # Holes



### LOAD CAPACITY

SIZE	LBS.		IN - LBS.	
	LA	LR	MA	MR
DT-1	228	268	125	118
DT-2	560	644	505	434
DT-3	1528	1382	1776	1676
DT-4	3596	2116	5106	5091

Working load capacities reflect lubricated wheel/track interface.