

- 3 roller carriage gives a compact design.
- Patent pending compliant rail feature.
- No need to adjust carriage fit up.
- Compliant rail adjusts to system inaccuracies.
- Standard and custom lengths.

DIMENSIONS (in)

SIZE	A	B	C	D	E	F	G	H	I	K	L	M	CARRIAGE	RAIL
VT-1	1.000	3.000	0.250	1.000	0.960	2.500	0.700	0.223	4.000	1/4-20 UNC	13/64 (0.203)	.75 X .10 DP	VTC-1	VTR-1
VT-2	1.400	4.250	0.375	1.400	1.500	3.500	1.250	0.260	6.000	5/16-18 UNC	9/32 (0.281)	.75 X .20 DP	VTC-2	VTR-2
VT-3	2.000	6.000	0.500	2.000	2.088	4.500	1.750	0.338	8.000	3/8-16 UNC	13/32 (0.406)	1.00 X .30 DP	VTC-3	VTR-3

SPECIFICATIONS & OPTIONS

- Guide is available with adjustable carriage.
- Rigid rail recommended for use with adjustable carriage and/or when rails need to be joined end to end.
- VTC - ____ - A Adjustable Carriage
- VTR - ____ - R Rigid Rail
- Rail and carriages are sold separately.
- All dimensions are industry standard ($\pm .005$ inches), unless otherwise specified.

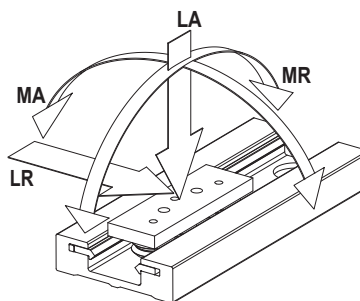
MATERIALS

Carriage Plate	6061 Aluminum Clear Anodized
Track Spacer	6061 Aluminum Clear Anodized
Fasteners	18-8 Stainless Steel
Track	See Single Edge Track
Bushings	See Guide Roller Bushings
Rollers	See Guide Rollers

NOMENCLATURE

CARRIAGE **VTC - 2 - SSX - A**
 Vector Trio Carriage | Size | Adjustable Stainless Steel Rollers (VW2 - SSX)

RAIL **VTR - 2 - R - SS - 3800 - 7**
 Vector Trio Rail | Size | Rigid | Stainless Steel Track | Length 38" | # Holes



AD CAPACITY (lbs.)

SIZE	LBS.		IN - LBS.	
	LA	LR	MA	MR
VT-1	171	268	54	194
VT-2	420	644	190	701
VT-3	1146	1382	726	2789

Working load capacities reflect lubricated wheel/track interface.