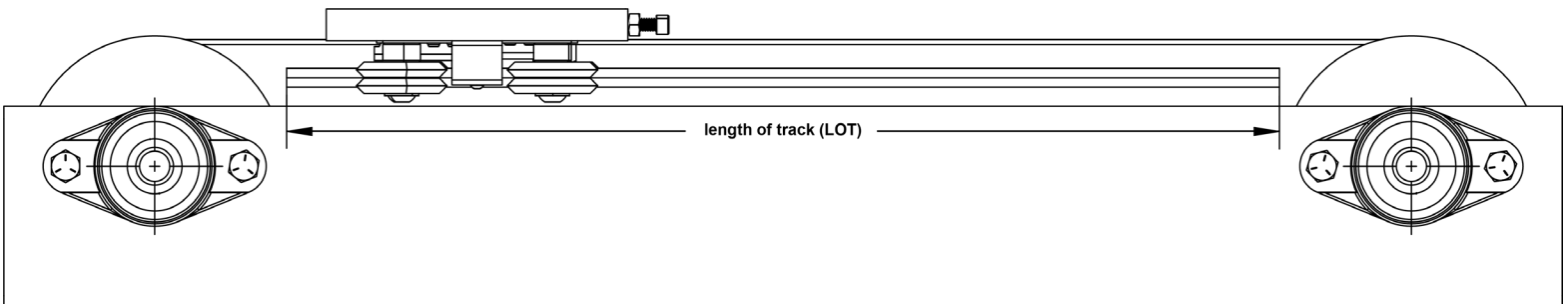
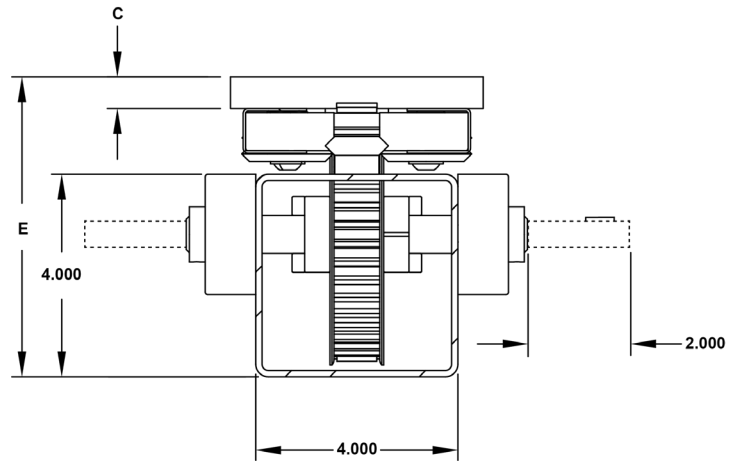
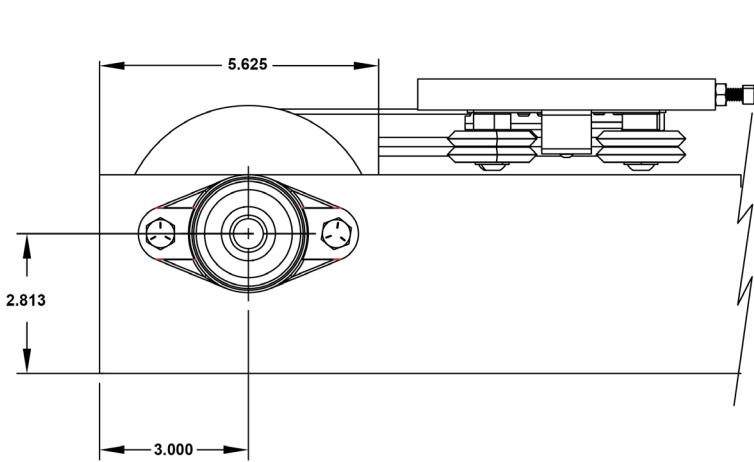
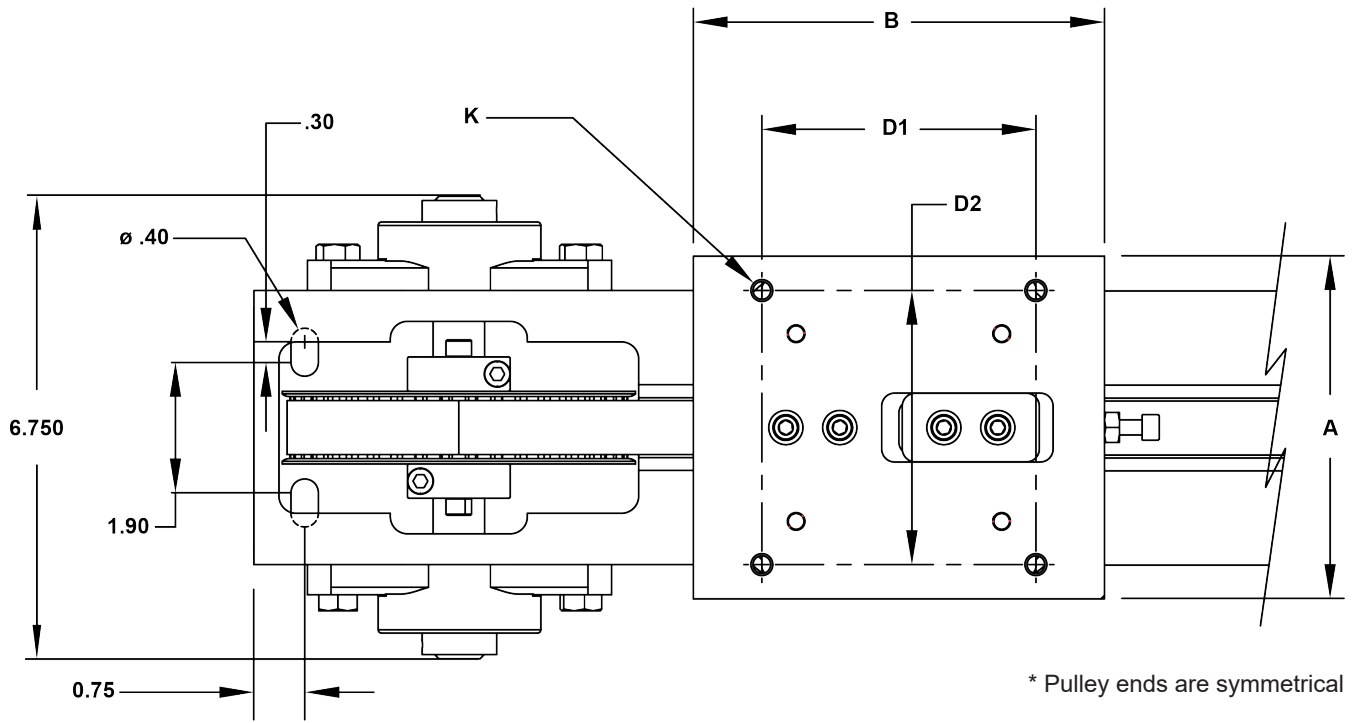


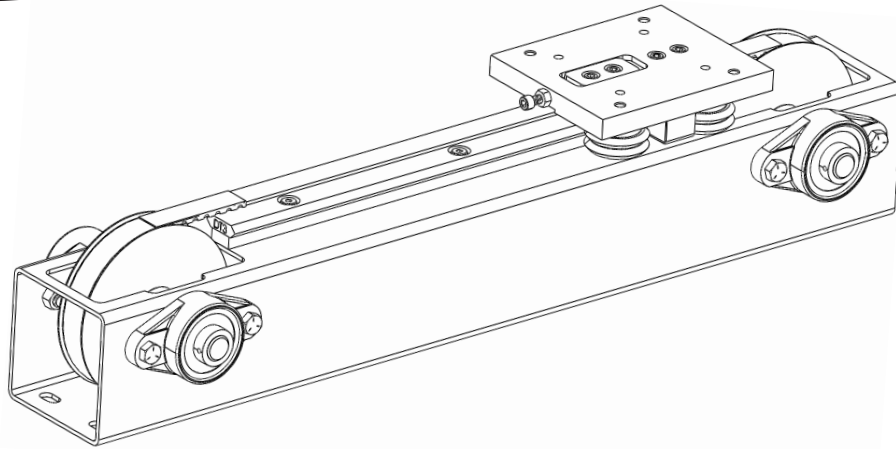


BELT DRIVE LINEAR ACTUATOR





BELT DRIVE LINEAR ACTUATOR



DIMENSIONS (in)

SIZE	A	B	C	D1	D2	E	K	Track
DTLGA-2	4.00	6.00	0.62	3.00	4.00	5.62	1/4-20 UNC	DT-2
DTLGA-3	5.00	6.00	0.62	4.00	4.00	5.92	5/16-18 UNC	DT-3

MATERIALS

Tube	4x4, 1/8" wall, Carbon Steel
Carriage	6061-T6 Aluminum
Pulleys	6061-T6 Aluminum
Bushings	303 Stainless Steel
Rollers	1045 Steel
Track	1045 Steel or 440 SS

SPECIFICATIONS & OPTIONS

- Available using size 2 or 3 guide rollers & track
- Load capacity up to 1528 lbs.
- Standard & custom lengths available.
- Fully customizable to suit application.
- Also available with roller chain drive option.
- Felt track lubricator included as standard
- Max standard stroke length 12 ft.

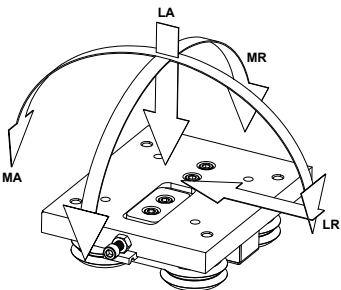
NOMENCLATURE

ACTUATOR DTLGA - 2 - 2000 - TB - LR

DT Linear Guide Actuator | Size | Stroke Length | Timing Belt | Drive Shaft

USEFUL FORMULAS

- $LOT = Stroke + Carriage Length$
- $Stroke = Track Length - Carriage Length$
- $Overall Length = Track Length + (DE \times 2)$



LOAD CAPACITY

	LBS.		IN - LBS.	
	LA	LR	MA	MR
DTLGA-2	560	644	505	520
DTLGA-3	1528	1382	1776	1676

Working load capacities reflect lubricated wheel/track interface.

DRIVE SPECIFICATIONS

Belt	AT10x20
Pulley (Size 2)	36t
Pulley (Size 3)	40t
Drive Shaft Diameter	0.750
Drive Shaft Length	2.000
Keyway Size	3/16" x 1" Key

*Single or double drive shaft available