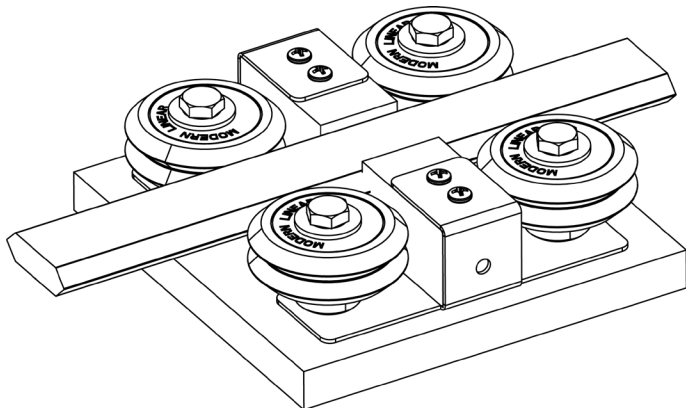


DIMENSIONS (in)

| SIZE | W | L | WP | H | SD | SV | THRU | Carriage |
|--------|-------|-------|-------|-------|-------|-------|-------|----------|
| DTCL-1 | 0.600 | 2.500 | 0.750 | 0.600 | 1.500 | 0.300 | 0.150 | DTC-1 |
| DTCL-2 | 1.160 | 3.500 | 1.000 | 0.750 | 2.500 | 0.380 | 0.330 | DTC-2 |
| DTCL-3 | 1.160 | 4.000 | 1.000 | 0.880 | 3.000 | 0.380 | 0.330 | DTC-3 |
| DTCL-4 | 1.160 | 4.500 | 1.000 | 1.000 | 3.500 | 0.380 | 0.397 | DTC-4 |

* All dimensions are industry standard ($\pm .005$ inches), unless otherwise specified.

* Carriage sold separately



- Material thickness 18 gauge 304 stainless steel.
- Lubricator installs with existing carriage hardware.
- No additional hole machining or tapping is necessary.
- Lubricator includes medium density felt cube.
- Felt must be soaked in oil prior to installation.
- Any general purpose light oil is acceptable.
- Felt cube is held in place with two retention screws.
- Felt can be re-lubricated through lubrication port with out removal of carriage from rail.